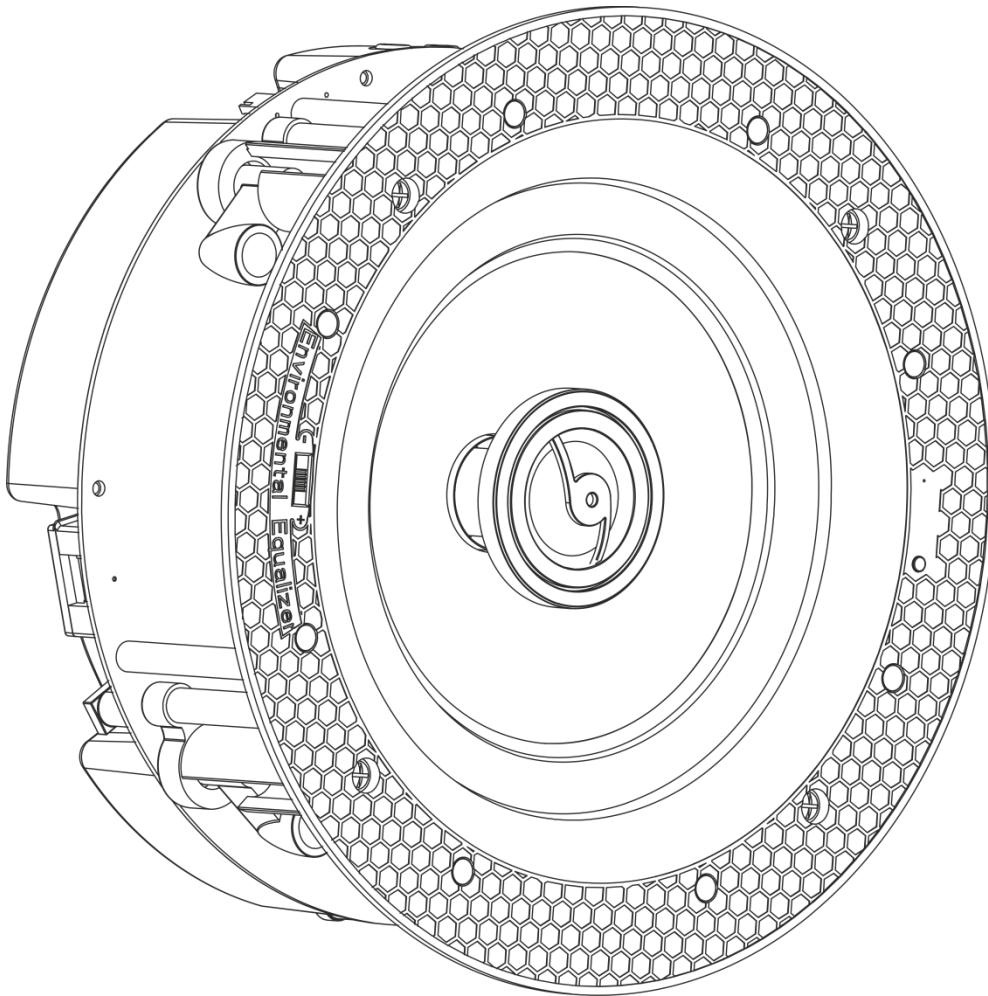




MANUAL



ENGLISH

WCSS-230 WiFi Speaker V3

Ordercode: D6450

Table of contents

Warning2
 Safety Instructions2
 Operating Determinations3
 Return Procedure4
 Claims.....4

Description of the device.....5
 Overview5

Installation.....6

Set Up and Operation6
 Software Setup and Wi-Fi Connecting7
 Installation of the Speaker.....12
 Reset the Speakers13
 Password Setting14
 Personal Settings15
 Airplay Function15

Troubleshooting16

Product Specification16

Dimensions.....17

Notes18

Warning



**For your own safety, please read this user manual carefully
before your initial start-up!**



Unpacking Instructions

Immediately upon receiving this product, carefully unpack the carton and check the contents to ensure that all parts are present, and have been received in good condition. Notify the dealer immediately and retain packing material for inspection if any parts appear damaged from shipping or the carton itself shows signs of mishandling. Save the carton and all packing materials. In the event that a fixture must be returned to the factory, it is important that the fixture be returned in the original factory box and packing.

Your shipment includes:

- DAP Audio WCSS-230 WiFi Speaker
- 24V DC/2,5A power adapter
- Template for ceiling mounting
- IEC power cable (1,5 m)
- User manual



CAUTION!

**Keep this device away from rain and moisture!
Unplug mains lead before opening the housing!**



Safety Instructions

Every person involved with the installation, operation and maintenance of this system has to:

- be qualified
- follow the instructions of this manual



**CAUTION! Be careful with your operations.
With a dangerous voltage you can suffer
a dangerous electric shock when touching the wires!**



Before you initial start-up, please make sure that there is no damage caused by transportation. Should there be any, consult your dealer and do not use the system.

To maintain perfect condition and to ensure a safe operation, it is absolutely necessary for the user to follow the safety instructions and warning notes written in this manual.

Please consider that damages caused by manual modifications to the system are not subject to warranty.

This system contains no user-serviceable parts. Refer servicing to qualified technicians only.

IMPORTANT:

The manufacturer will not accept liability for any resulting damages caused by the non-observance of this manual or any unauthorized modification to the system.

- Never remove warning or informative labels from the unit.
- Never leave any cables lying around.
- Do not open the device and do not modify the device.
- Do not set the input signal level higher than required to drive the equipment to full output.
- Only use system indoors, avoid contact with water or other liquids.
- Avoid flames and do not put close to flammable liquids or gases.
- Make sure you do not use the wrong kind of cables or defective cables.
- Extreme frequency boosts in connection with a high input signal level may lead to overdriving your equipment. Should this occur, it is necessary to reduce the input signal level.
- If system is dropped or struck, disconnect the power supply immediately. Have a qualified engineer inspect for safety before operating.
- If the system has been exposed to drastic temperature fluctuation (e.g. after transportation), do not switch it on immediately. The arising condensation water might damage your system. Leave the system switched off until it has reached room temperature.
- If your Dap Audio device fails to work properly, discontinue use immediately. Pack the unit securely (preferably in the original packing material), and return it to your Dap Audio dealer for service.
- Repairs, servicing and electric connection must be carried out by a qualified technician.
- Keep this manual for future reference.
- Clean only with dry cloth.
- When making the hole in your ceiling to mount the WCSS-230, make sure there is sufficient clearance behind the ceiling (no obstructions like A/C channels, power lines etc).
- Take care of your speaker wires, they should be free of damage. Damaged speaker wires might result in poor sound quality and can damage amplifiers.
- Make sure the ceiling can support the speaker's weight.
- No main power shall be connected to the loudspeakers; doing so will damage the speaker.
- This device should only be serviced by qualified personnel. If not warranty might be void.
- Avoid loud feedback from microphones, this can damage your speaker.
- Please check the units condition after unpacking. If the outside of the carton box has been damaged, inform your shipper immediately.

Operating Determinations

If this system is operated in any other way, than the one described in this manual, the product may suffer damages and the warranty becomes void.

Any other operation may lead to dangers like short-circuit, burns, electric shock, etc.

You endanger your own safety and the safety of others!

Improper installation can cause serious injuries and damage of property !



Return Procedure



Returned merchandise must be sent prepaid and in the original packing, call tags will not be issued. Package must be clearly labeled with a Return Authorization Number (RMA number). Products returned without an RMA number will be refused. Highlite will not accept the returned goods or any responsibility. Call Highlite 0031-455667723 or mail aftersales@highlite.nl and request an RMA prior to shipping the fixture. Be prepared to provide the model number, serial number and a brief description of the cause for the return. Be sure to properly pack fixture, any shipping damage resulting from inadequate packaging is the customer's responsibility. Highlite reserves the right to use its own discretion to repair or replace product(s). As a suggestion, proper UPS packing or double-boxing is always a safe method to use.

Note: If you are given an RMA number, please include the following information on a piece of paper inside the box:

- 01) Your name
- 02) Your address
- 03) Your phone number
- 04) A brief description of the symptoms

Claims

The client has the obligation to check the delivered goods immediately upon delivery for any shortcomings and/or visible defects, or perform this check after our announcement that the goods are at their disposal. Damage incurred in shipping is the responsibility of the shipper; therefore the damage must be reported to the carrier upon receipt of merchandise.

It is the customer's responsibility to notify and submit claims with the shipper in the event that a fixture is damaged due to shipping. Transportation damage has to be reported to us within one day after receipt of the delivery.

Any return shipment has to be made post-paid at all times. Return shipments must be accompanied with a letter defining the reason for return shipment. Non-prepaid return shipments will be refused, unless otherwise agreed in writing.

Complaints against us must be made known in writing or by fax within 10 working days after receipt of the invoice. After this period complaints will not be handled anymore.

Complaints will only then be considered if the client has so far complied with all parts of the agreement, regardless of the agreement of which the obligation is resulting.

Description of the device

Features

Wi-Fi

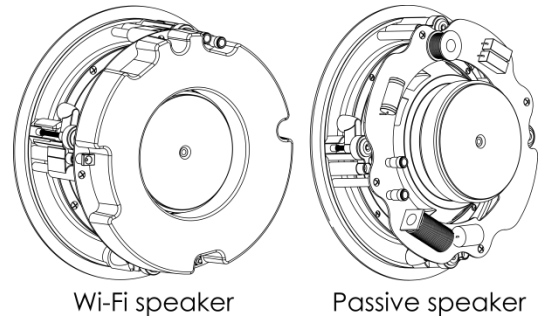
- Built-in Wi-Fi
- Wireless network compatibility 802.11b/g/n
- Support for online audio streaming media
- Supported audio formats: MP3, WMA, AAC, ACC, ACC+, ALAC, APE, WAV

Amplifier

- Type: class D
- RMS power: 2 x 50W/8Ω
- Power adapter: 24V DC/2,5A

Speaker

- Frequency response: 65Hz – 20kHz
- RMS power: 60W
- Impedance: 8Ω
- Sensitivity (1w/1m): 90dB
- Woofer: 6,5" Kevlar woven cone
- Tweeter: 0,75" Titanium dome
- Treble attenuation: +3dB/-3dB
- Dimensions (passive speaker): 233 x 233 x 88 mm (LxWxH)
- Dimensions (Wi-Fi speaker): 233 x 233 x 98 mm (LxWxH)
- Weight (passive speaker): 1,6 kg
- Weight (Wi-Fi speaker): 1,8 kg



Overview

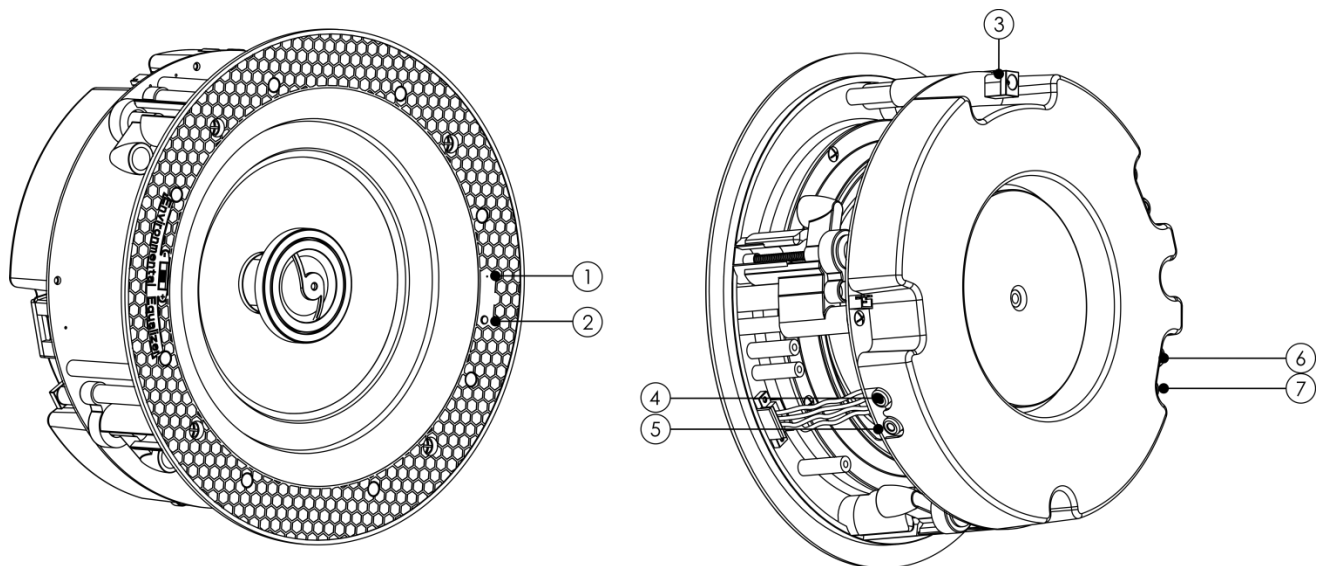


Fig. 01

① LED indicator

The LED indicates the current status of the WCSS-230 WiFi Speaker.

Red light (power status indicator)

OFF – no power

FLASHING – Initialization/stand-by

ON – normal operation mode

Green light (playing status indicator)
OFF – no music
FLASHING – music playing
ON – RCA playing

Blue light (internet connection status indicator)
OFF – not connected
FLASHING – connection in progress
ON – connected

Upgrading
Red, green and blue LEDs will flash alternately.

Device failure
Red and blue LEDs will flash alternately.

- ② **WPS button**
Press the button to pair devices or restore the default settings.
- ③ **24V DC power IN**
Connect the speaker to the power supply, by means of the included power adapter.
- ④ **RCA – (Black)**
Connect the speaker to a TV set.
- ⑤ **RCA + (Red)**
Connect the speaker to a TV set.
- ⑥ **R+ (Red)**
Connect the device to stream stereo sound.
- ⑦ **R – (Black)**
Connect the device to stream stereo sound.

Installation

Remove all packing materials from the WCSS-230. Check if all foam and plastic padding is removed. Connect all cables.

**Always disconnect from electric mains power supply before cleaning or servicing.
Damages caused by non-observance are not subject to warranty.**

Set Up and Operation

Before plugging the unit in, always make sure that the power supply matches the product specification voltage. Do not attempt to operate a 115V specification product on 230V power, or vice versa.

Software Setup and Wi-Fi Connecting

- 01) Download **Smart Sonix** control software from Google Play(Android) or Apple App Store (IOS).
- 02) Before installing the speaker on the ceiling, test the Wi-Fi speaker to see if it functions properly.
- 03) Connect the Wi-Fi speaker to the power supply, by means of the included 24V DC power adapter.

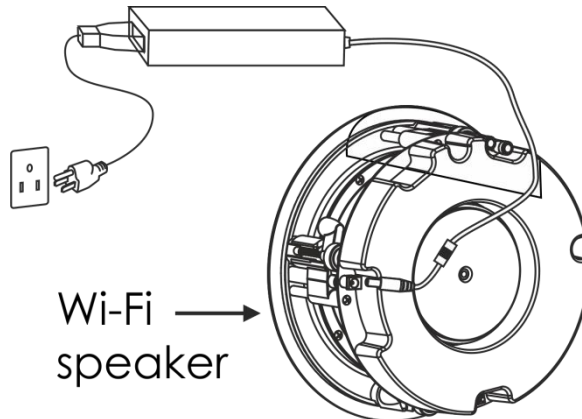


Fig. 02

- 04) Activate the Wi-Fi function and connect your phone to Wi-Fi.

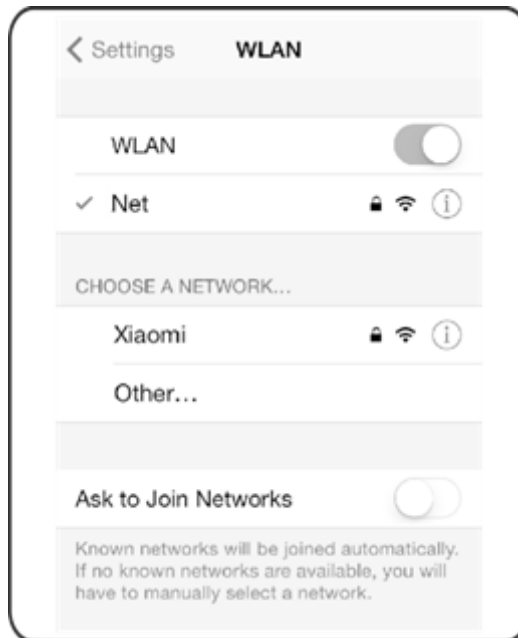


Fig. 03

05) Run Smart Sonix and click "Add Device."



Fig. 04

06) Insert the router's password and click "Next." Make sure that the router is available.

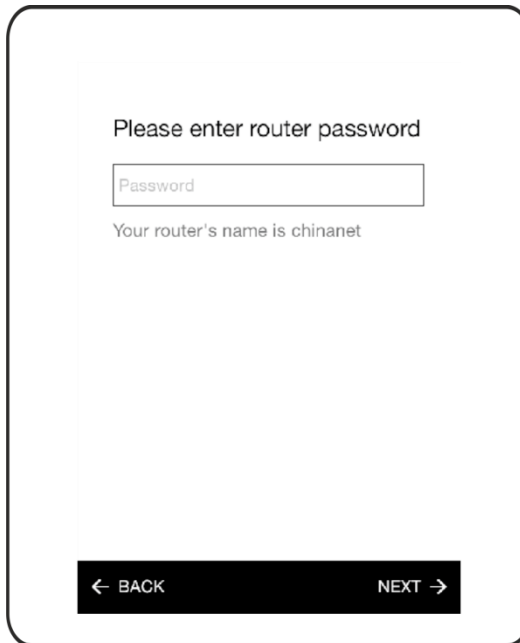


Fig. 05

07) Press the **WPS button (02)** to configure network and click "Next."

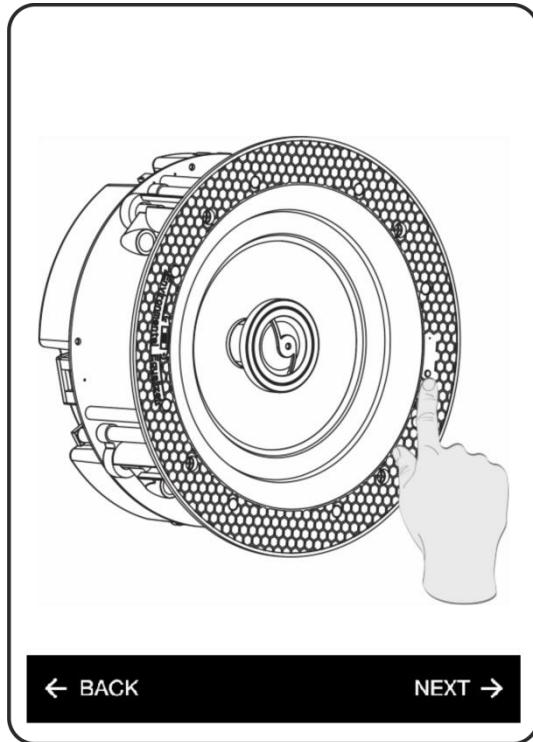


Fig. 06

08) Wait briefly until the device is connected to the router. In case of connection failure, click "Retry" and repeat steps 6 and 7.

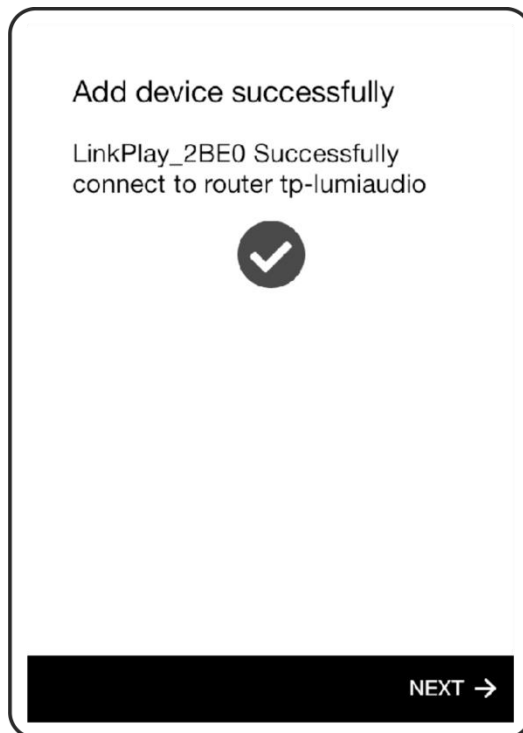


Fig. 07

09) Name the device, according to the room in which the speaker is going to be placed.

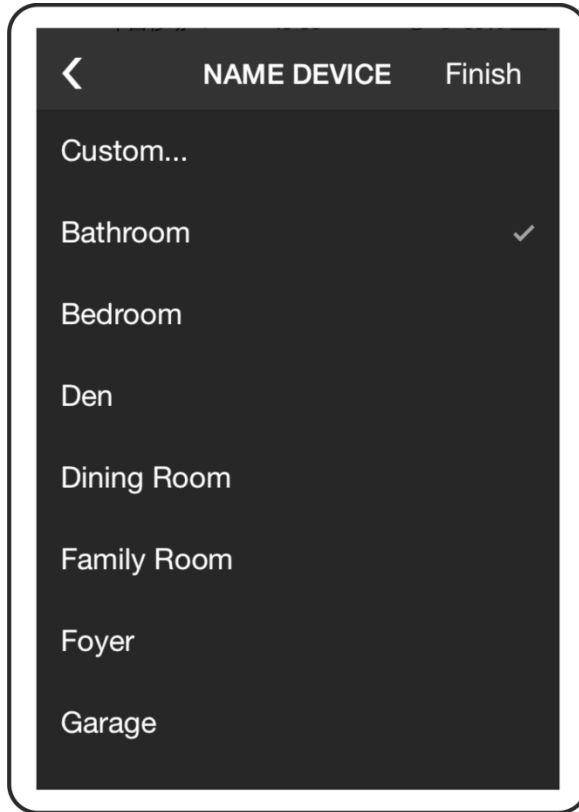


Fig. 08

10) You should now be able to find the speaker on the device list. If you have multiple Wi-Fi speakers, add and name all the devices accordingly.

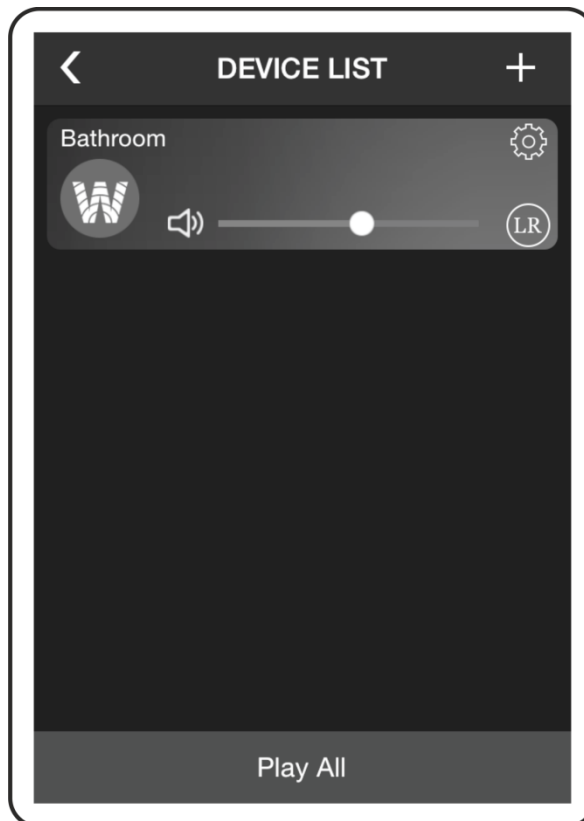


Fig. 09

- 11) Choose the device and play a song, using your phone, in order to test whether the device functions properly. If the test was successful, proceed to the installation of the speaker.

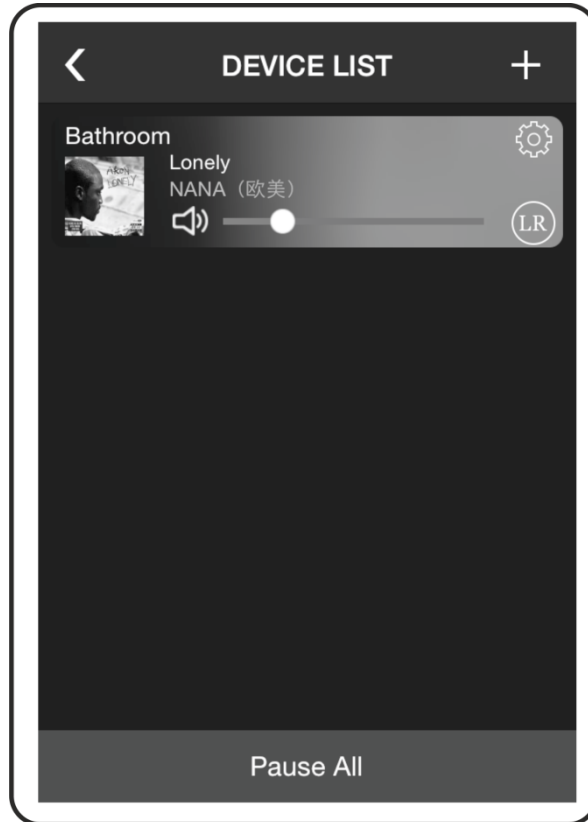
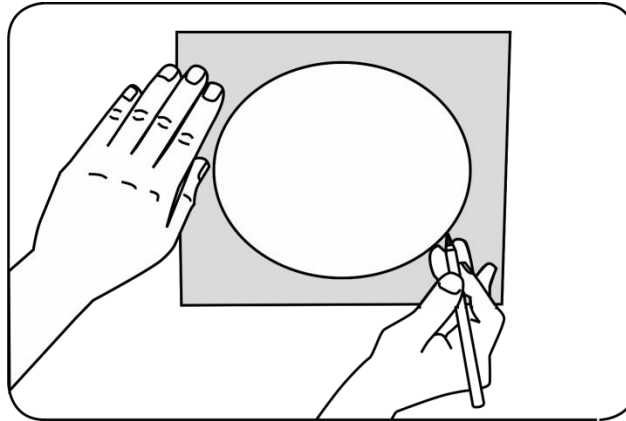


Fig. 10

Installation of the Speaker

01) Use the included mounting hole template to cut out a hole in the ceiling.



Installation dimension: $\varnothing 210$ mm
Installation depth: > 102 mm

Fig. 11

02) Place the power adapter inside the wall/ceiling. Make sure that the adapter is not connected to the power supply.

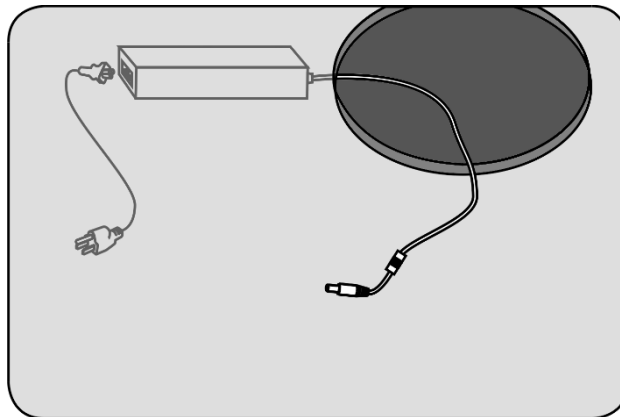


Fig. 12

03) Connect the power adapter to the Wi-Fi speaker and install the speaker into the wall/ceiling. Make sure that the connected speaker is located in the room, which you have assigned in step 9, page 10.

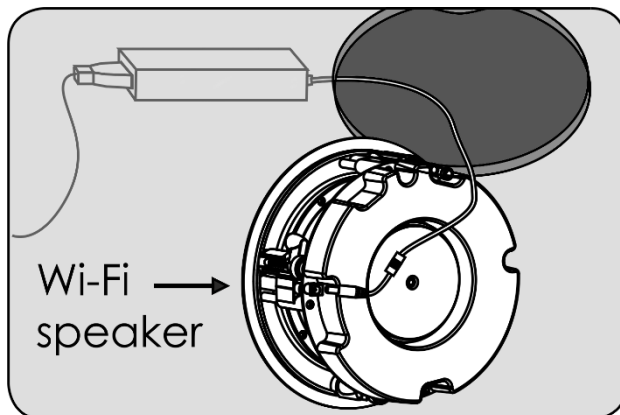


Fig. 13

- 04) If you want to enjoy stereo sound, you can connect the passive speaker to the Wi-Fi speaker. Connect the passive speaker to the **R+ and R- connectors (06/07)** on the Wi-Fi speaker.

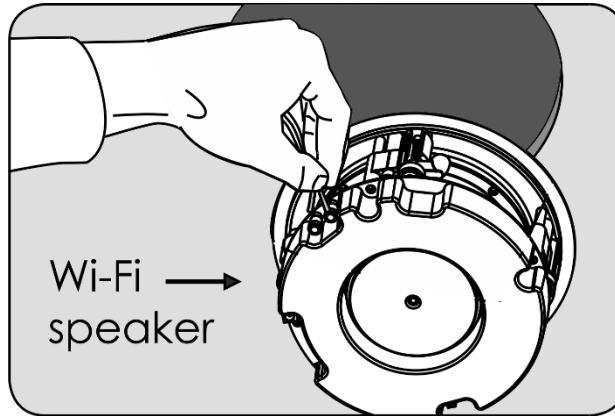


Fig. 14

- 05) Connect the speakers to a TV set. Please connect the cables before installing the Wi-Fi speaker.

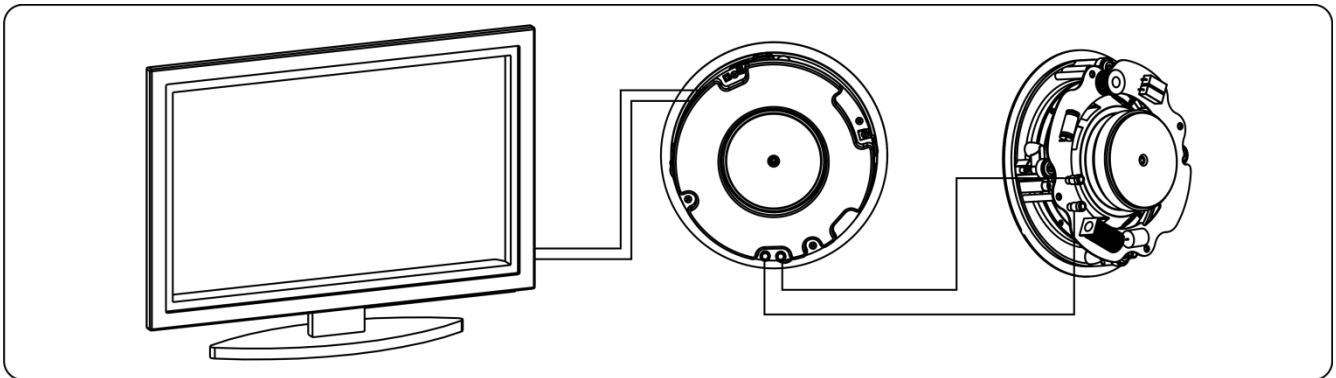


Fig. 15

- 06) Cover the speakers with the grills and connect the power adapter to the power supply.

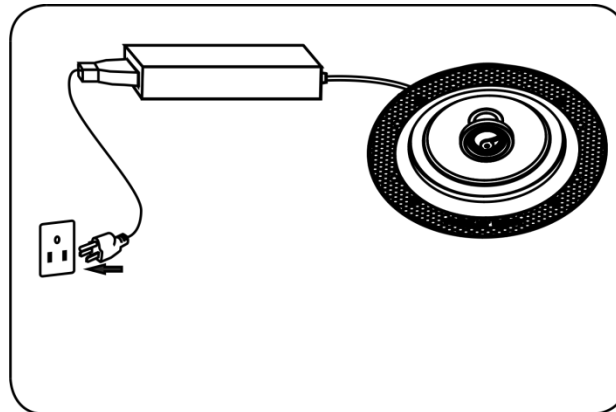


Fig. 16

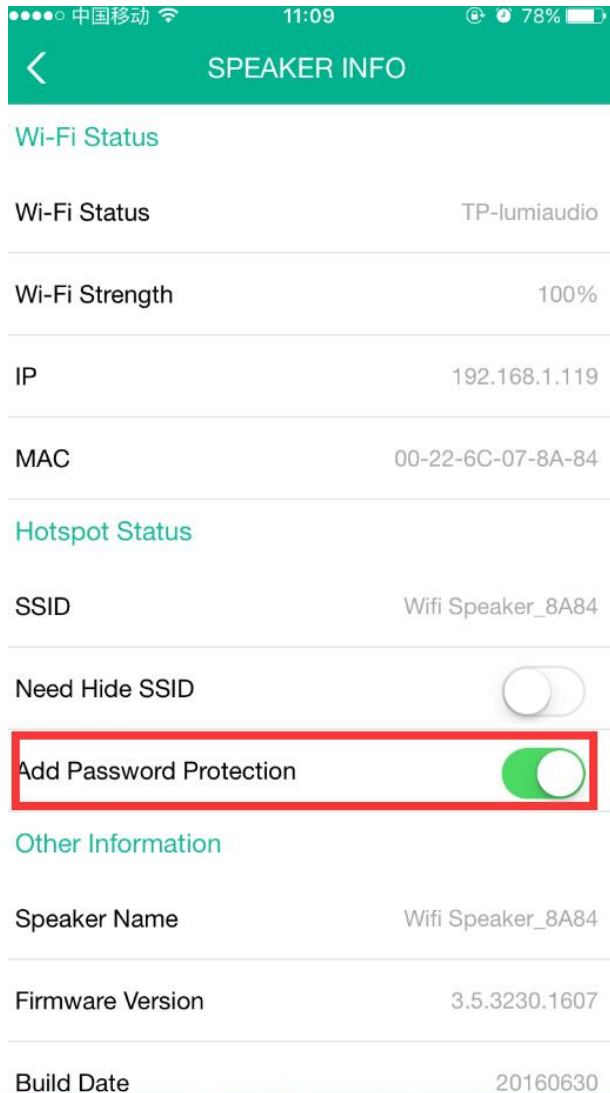
Reset the Speakers

If a network failure occurs during operation, you will need to restore the factory settings.

- 01) Uninstall the Wi-Fi speaker from the ceiling but keep it powered on.
- 02) Press and hold down the **WPS button (02)** for 5 seconds to restore the factory settings.

Password Setting

- 01) Rename: If you think your Wi-Fi speaker is wrongly named after your installation, you can rename it to a correct one.
- 02) Password: The initial password is **88888888**, which can be reset in your Smart Sonix App.
- 03) The password can be changed to password with a maximum of 32 characters
- 04) When the speaker is assigned to for example bathroom, go to settings --> speaker info. Here you find "add password protection".
- 05) This password protection can be enabled or disabled. After changing your password protection, the music will stop playing and you need to reconnect to the music station you were listening to.



Personal Settings

If your Wi-Fi speaker was named improperly, it is possible to rename it. Each Wi-Fi speaker sends wireless signal. In order to prevent your speakers from being jammed by others, you can protect them by installing a password.

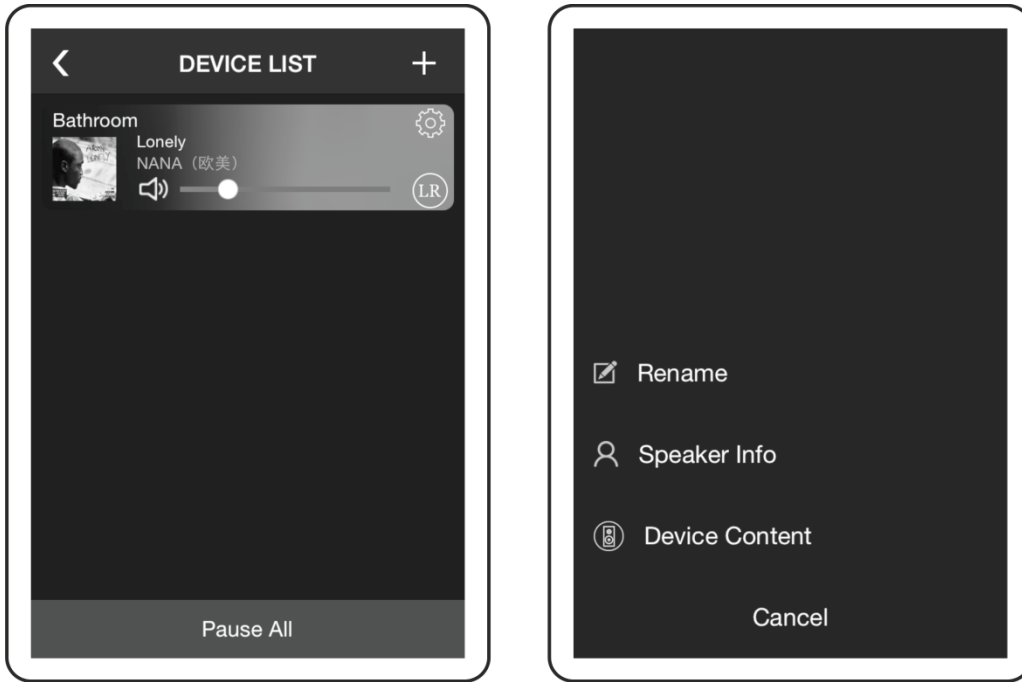


Fig. 17

Airplay Function

It is possible to control the Wi-Fi speaker by means of Airplay function.

- 01) Connect your IOS device (iPhone, iPad, iMac) to the Wi-Fi speaker.
- 02) In the pull-down menu, click "Airplay" and choose your Wi-Fi speaker. Now you can control the speaker with your smart device.



Fig. 18

Troubleshooting

No Sound

Always check if all the cables and cords are connected. Always turn off power to the area before checking the wires, to prevent electric shock. Reset the speakers and check your software.

- 01) If your Wi-Fi connection is not of good quality, try connecting the Wi-Fi speaker to your router by means of a CAT-5 cable.
- 02) If everything works properly and there is still no sound, revisit the manufacturer's instructions to make sure they were followed during installation.
- 03) If everything was installed correctly and there is still no sound, you may want to consider bringing in a professional to take a look at your speakers.

Sound Warping

If the sound coming out of your ceiling speakers is loud enough, but seems to be warped or distorted, your treble or bass levels may need to be adjusted.

If there are not many pieces of furniture in the room and the floor has no carpet or rug, then you will most likely have to set your treble to minus. With very little in the room to absorb the sound, too much treble can make the sound bounce off of fixtures in the room, making it tinny sounding.

With the bass, if the speakers are too close to a wall and are not aimed properly, then you will need to set the bass to minus, to stop the low tones from bouncing off of the walls or large pieces of furniture.

Product Specification

Wi-Fi

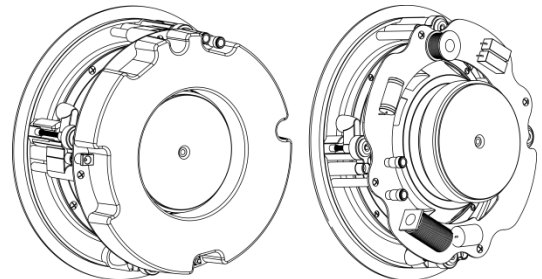
- Built-in Wi-Fi
- Wireless network compatibility 802.11b/g/n
- Support for online audio streaming media
- Supported audio formats: MP3, WMA, AAC, ACC, ACC+, ALAC, APE, WAV

Amplifier

- Type: class D
- RMS power: 2 x 50W/8Ω
- Power adapter: 24V DC/2,5A

Speaker

- Frequency response: 65Hz – 20kHz
- RMS power: 60W
- Impedance: 8Ω
- Sensitivity (1w/1m): 90dB
- Woofer: 6,5" Kevlar woven cone
- Tweeter: 0,75" Titanium dome
- Treble attenuation: +3dB/-3dB
- Dimensions (passive speaker): 233 x 233 x 88 mm (LxWxH)
- Dimensions (Wi-Fi speaker): 233 x 233 x 98 mm (LxWxH)
- Weight (passive speaker): 1,6 kg
- Weight (Wi-Fi speaker): 1,8 kg



Wi-Fi speaker

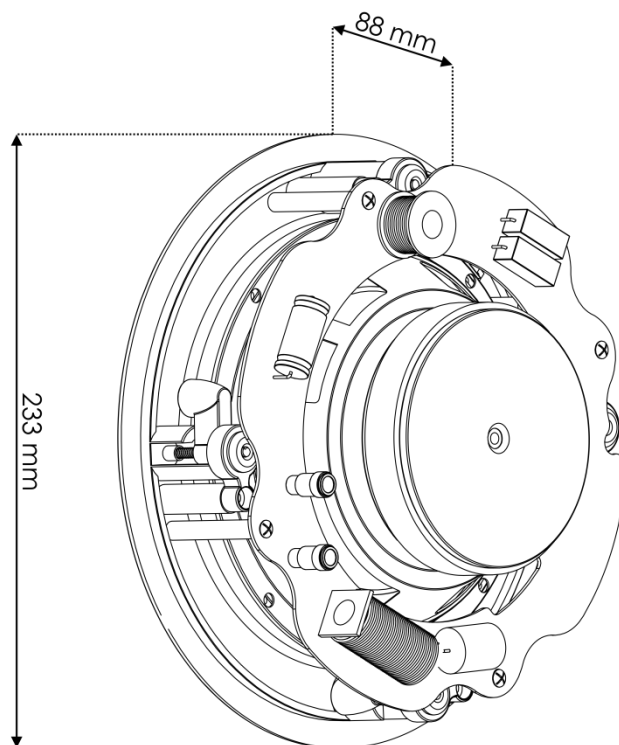
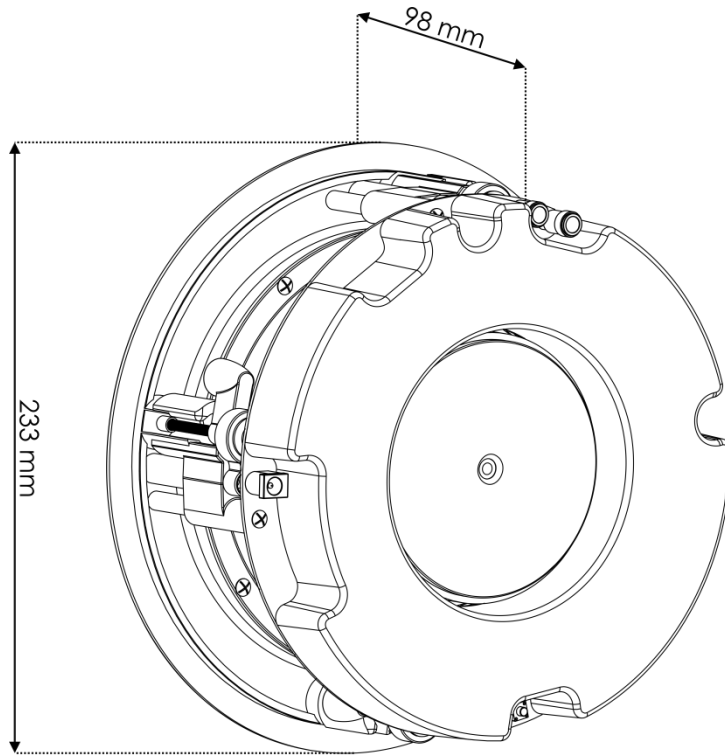
Passive speaker

Design and product specifications are subject to change without prior notice.



Website: www.Dap-audio.info
 Email: service@highlite.nl

Dimensions





©2017 DAP Audio