



ADMIRAL
STAGING

WOOD PECKER TREE/POLE BRACKET

Rig your fixtures, sound equipment and decorations on trees and pillars with our Woodpecker bracket.

Designed for temporary outdoor installations, it can be mounted quickly with the included ratchet straps and supports up to 20 kg Max load. Available in silver and black.



KEY FEATURES

Simple assembly

Easily install and use the Woodpecker anywhere with the provided ratchet straps.

Versatility

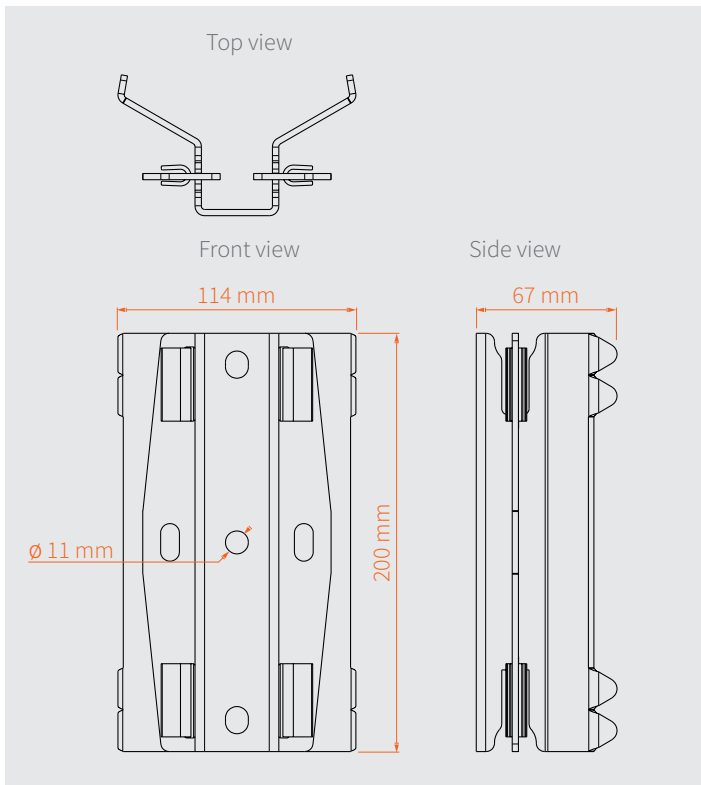
The Woodpecker fits a wide range of supporting structures. It can be used on its own or turned into an outrigger by adding a tube like the Admiral Low hanger tube.

Strong grip

The Woodpecker's grip fingers ensure a secure attachment on any surface.

www.admiralstaging.com

DIMENSIONS



TECHNICAL DATA

Woodpecker tree/pole bracket

Article code:	RIHABB00	RIHABB00Z
EAN:	8720094422473	8720094422480
Max load:	20 kg (200 N)	
Material:	steel	
Finish:	zinc plated	powder coated
Colour:	silver	black 30% gloss (RAL 9005)
Dimensions:	200 x 114 x 67 mm (L x W x D)	
Weight:	1.71 kg	
Bolt quality:	M10	
Bolt type:	20 kg	
Maximum mounting height:	4 m	

VARIATIONS



Mount your equipment directly on the Woodpecker.



Use as an outrigger by combining it with a Admiral Low hanger tube.



ADMIRAL
STAGING

| www.admiralstaging.com | Josink Kolkweg 10 | 7545 PR Enschede | The Netherlands | Tel: +31 53 4 301 201 |