

# P3W Wash Light (Track)

## 90W LED/ Wall Wash



### ORDERING GUIDE

**FLXP3W** -  -  -  - **PSP** -

#### Mode

**CLR** All Modes  
**EZ** All EZ Modes  
**RGB** RGB Mode Only  
**CCT** Tunable CCT Mode Only  
**3200** Fixed 3200K  
**5600** Fixed 5600K

#### Finish

**WH** White  
**BK** Black

#### Mount

**TOX** w/ O-type DMX Track Adapter  
**TEX** w/ E-type DMX Track Adapter (Legacy product)

#### Power Supply & Control

**PSP** Power Supply w/ Pass-Through DMX

#### Plug/Connection

**US** US 120V  
**EU** EU 220V

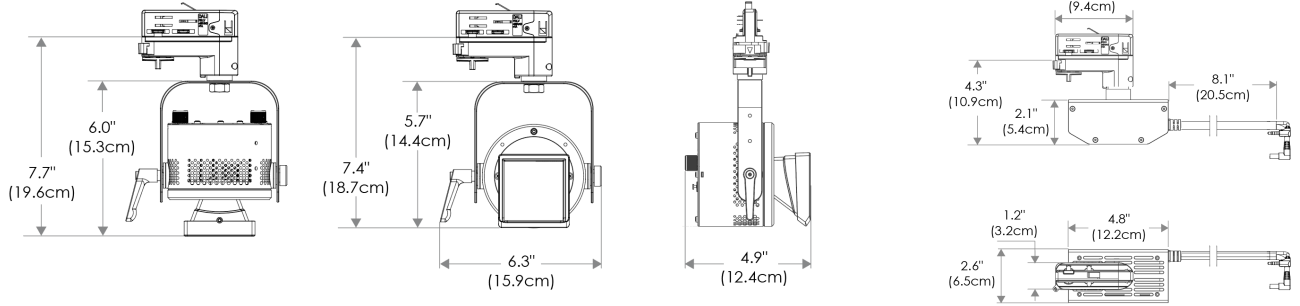
### SPECIFICATIONS

CRI / TLCI	95/90 typical
Dimming	100% - 0% flicker free
AC Power Draw	90W max
AC Input	100 - 240V AC, 50 - 60Hz
Remote Control	DMX 512
Cooling	Fan Cooled
Acoustic Noise	19 dBA (Auto Mode)
Operating Temp.	32 - 104°F (0 - 40°C)
Weight (Fixture + Power Supply)	3.0lb / 1.5kg
Approved Regulatory Standards	cETLus, FCC, CE, UKCA, RoHS, WEEE

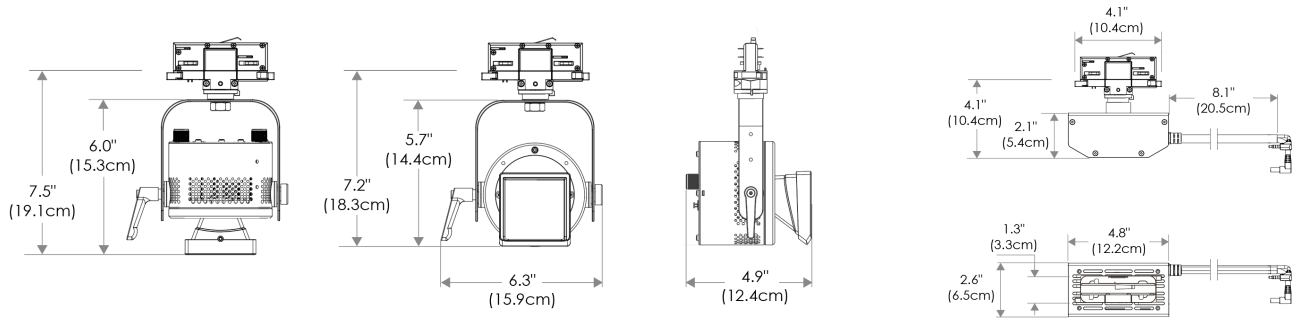
- Cine-Grade Light Quality
- Point-Source LED
- DMX Controllable
- 90W Power Draw
- Compact (< 8" of Vertical Space)

## MECHANICAL FIGURES

PSP **US**



PSP **EU**



## PHOTOMETRIC DATA

